

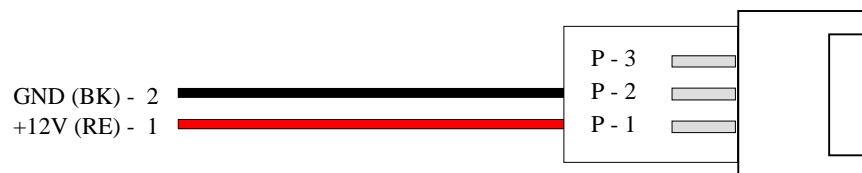
Installation Guide for AC-5000 V1.0

Fingerprint Identification Terminal



Doc Ver1.2
July.,26,2012
R&D Center
Union Community Co., Ltd.

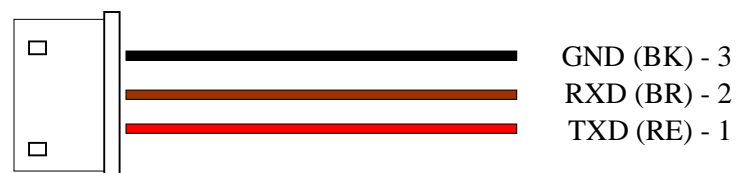
1. Description of External Cables



Power Adapter Cable

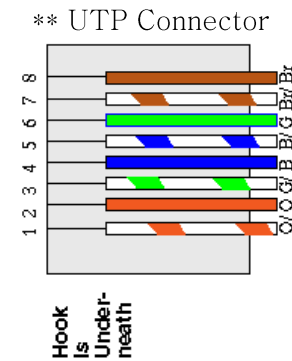
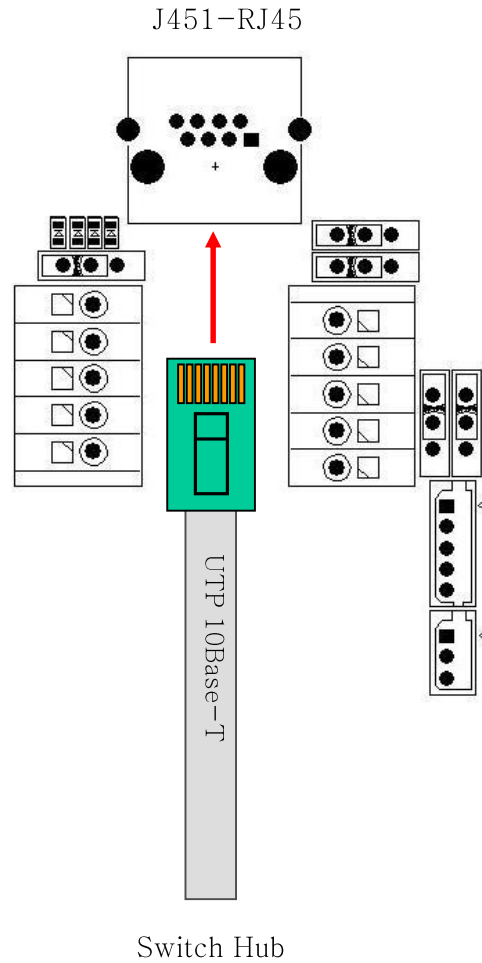


Wiegand Cable (5P)

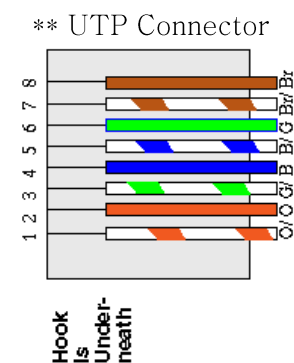
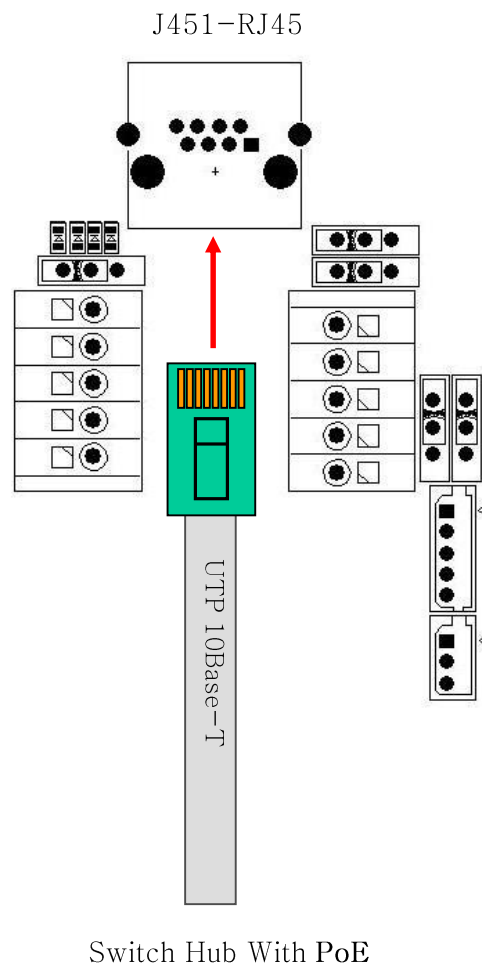


RS232 Cable (3P)

2-1. Connecting Ethernet (LAN) Cable

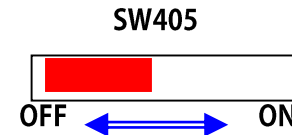
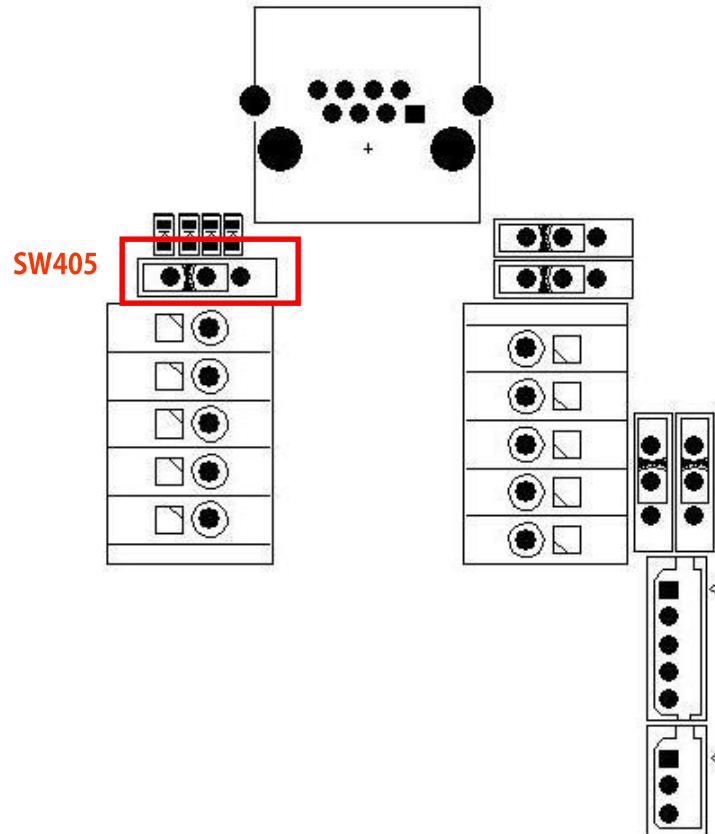


2-2. Connecting Ethernet (LAN) Cable For PoE



- When using PoE, you can't connect an electric lock together.
- When connecting an electric lock, you must use the 12v power adapter.
- You can only use PoE with 7.3, 8.1, 8.2 & 11 Types (no powered contact)

3. Resistor Setting for RS485 End Termination

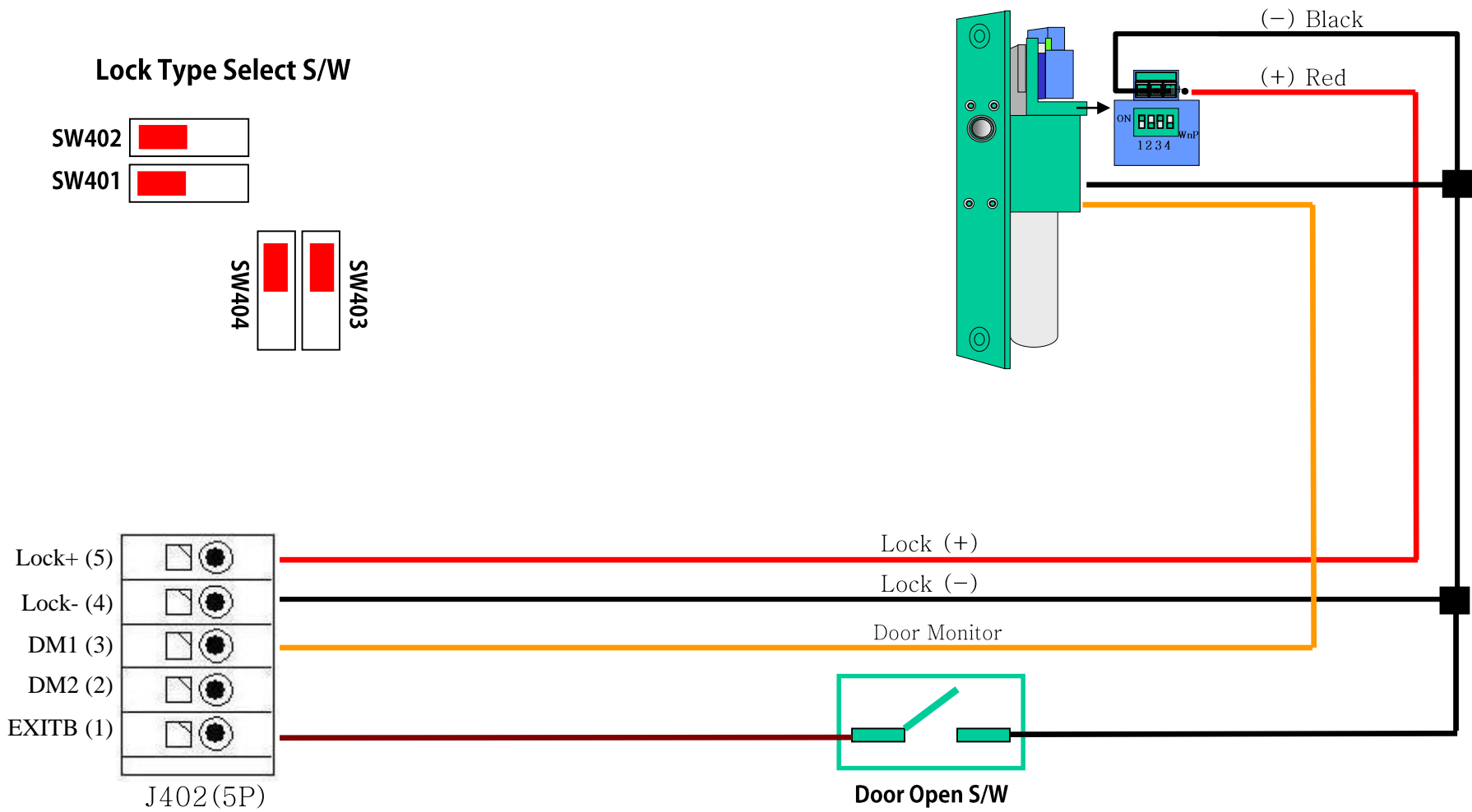
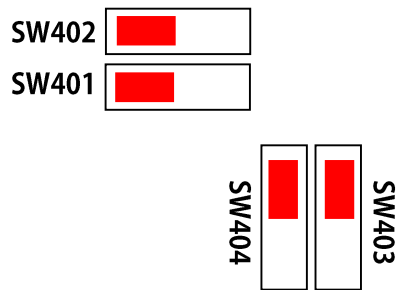


- * Default Setting is off.
- * ON: 120 Ohm Resistor is connected between 485A and 485B

4. Connecting a Dead-Bolt Type Door Lock (Fail Safe)

4.1. Connecting One System/ One Lock

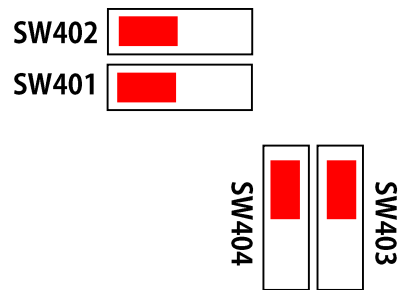
Lock Type Select S/W



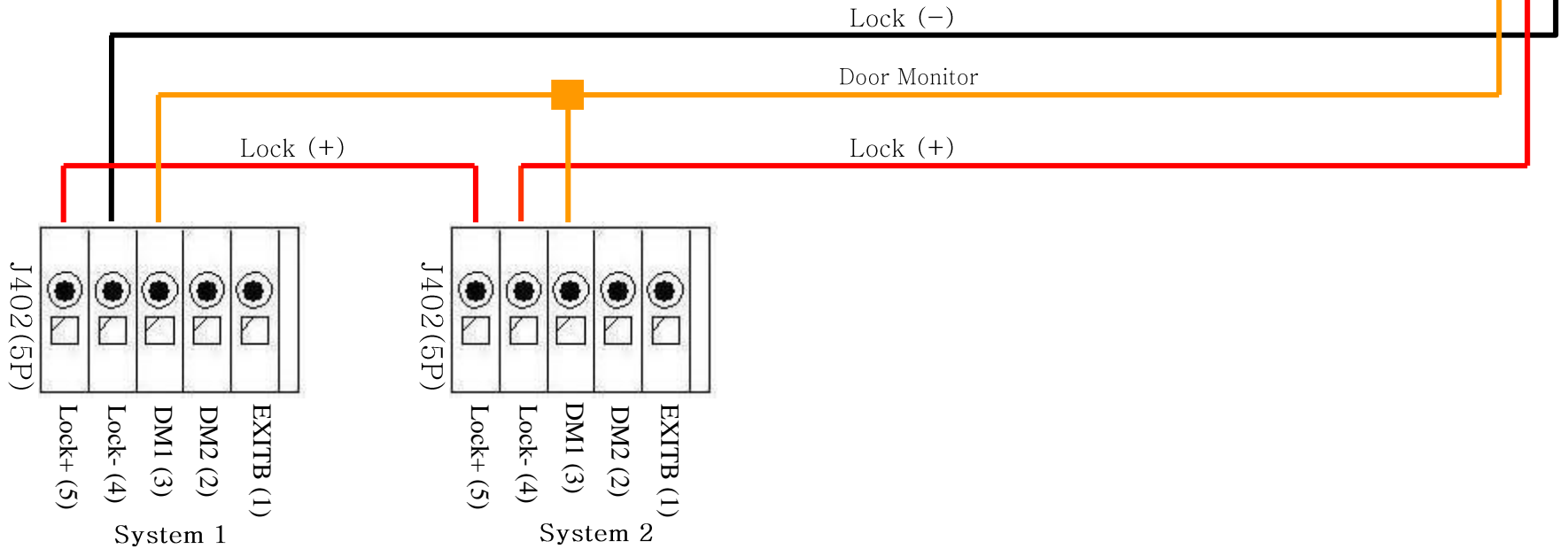
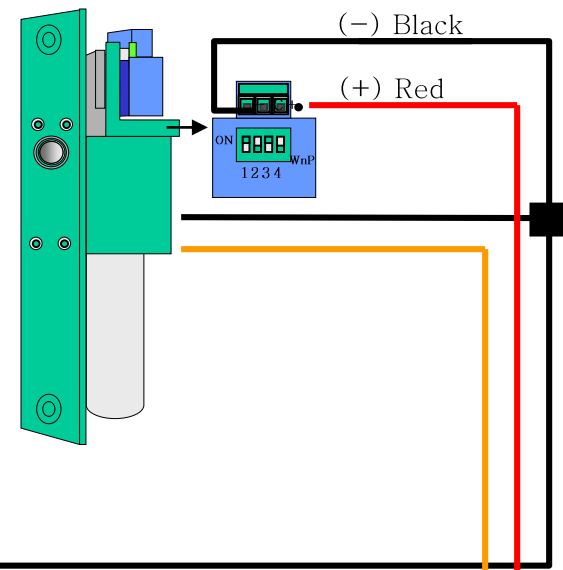
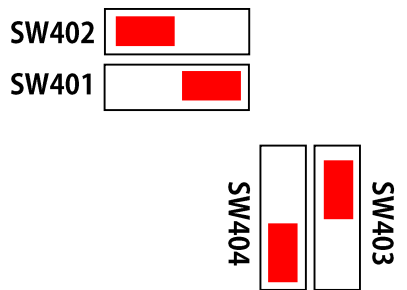
4. Connecting a Dead-Bolt Type Door Lock (Fail Safe)

4.2. Connecting Two Systems/ One Lock

System 1
Lock Type Select S/W

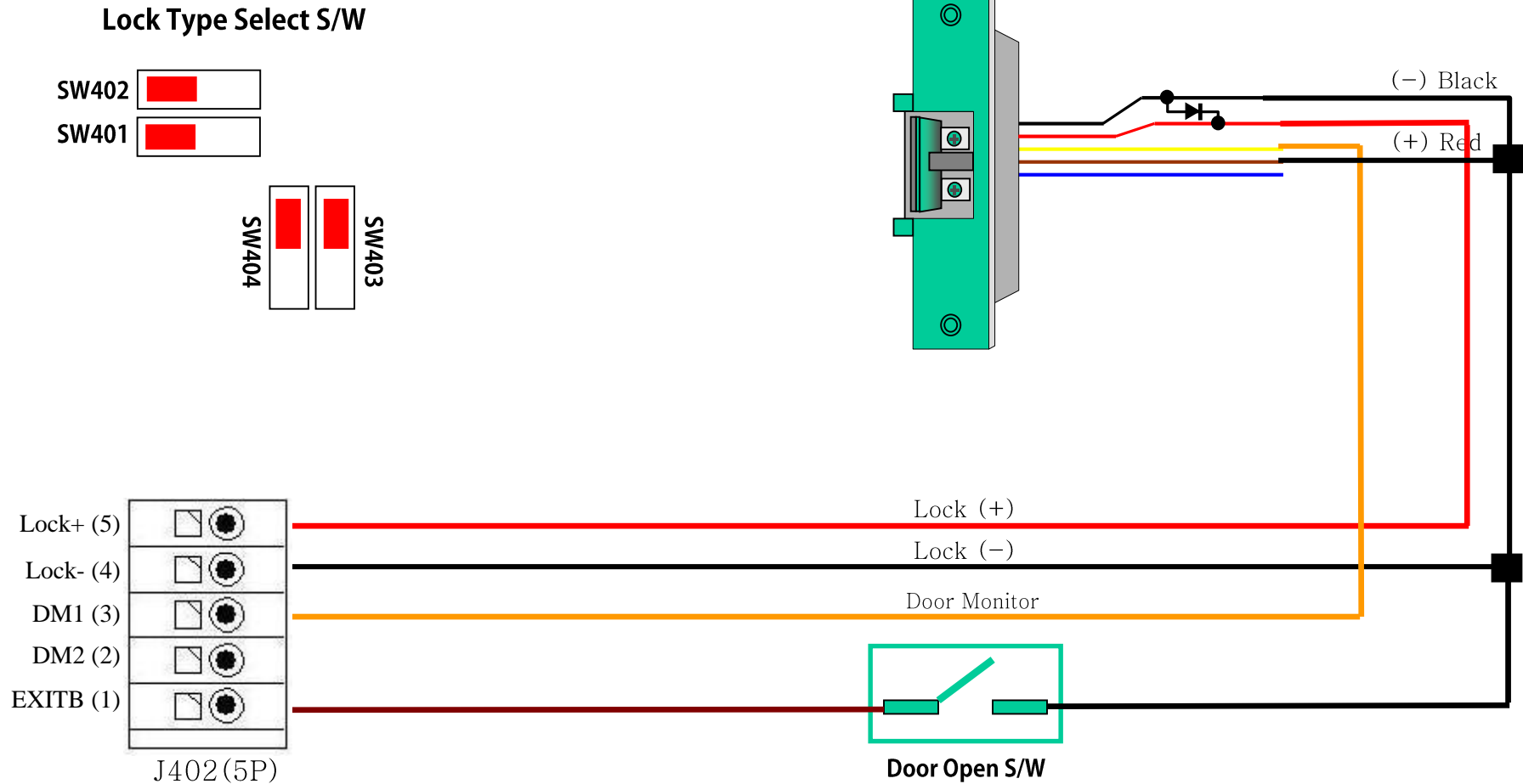


System 2
Lock Type Select S/W



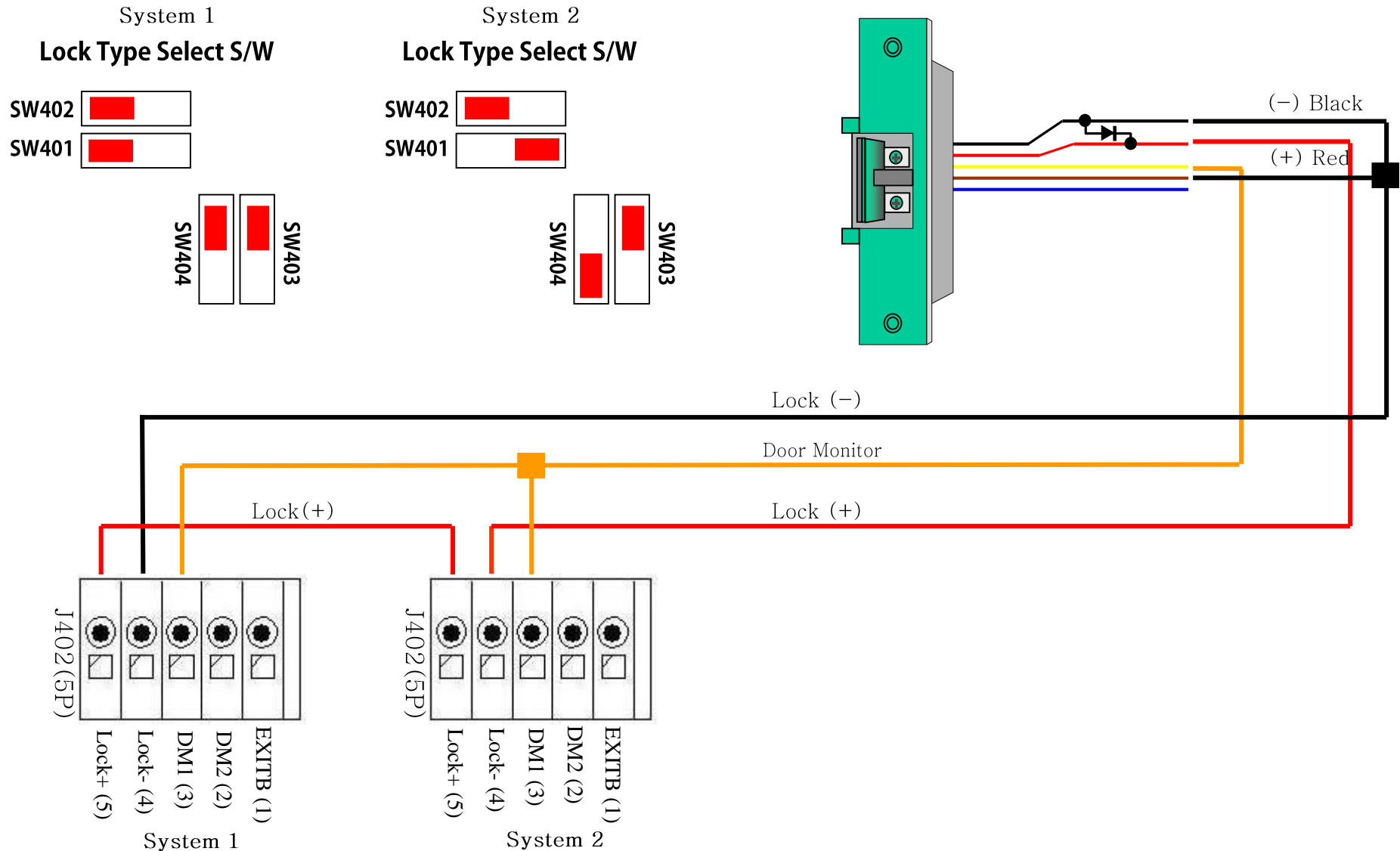
5. Connecting a Strike Type Door Lock (Fail Safe)

5.1. Connecting One System/ One Lock



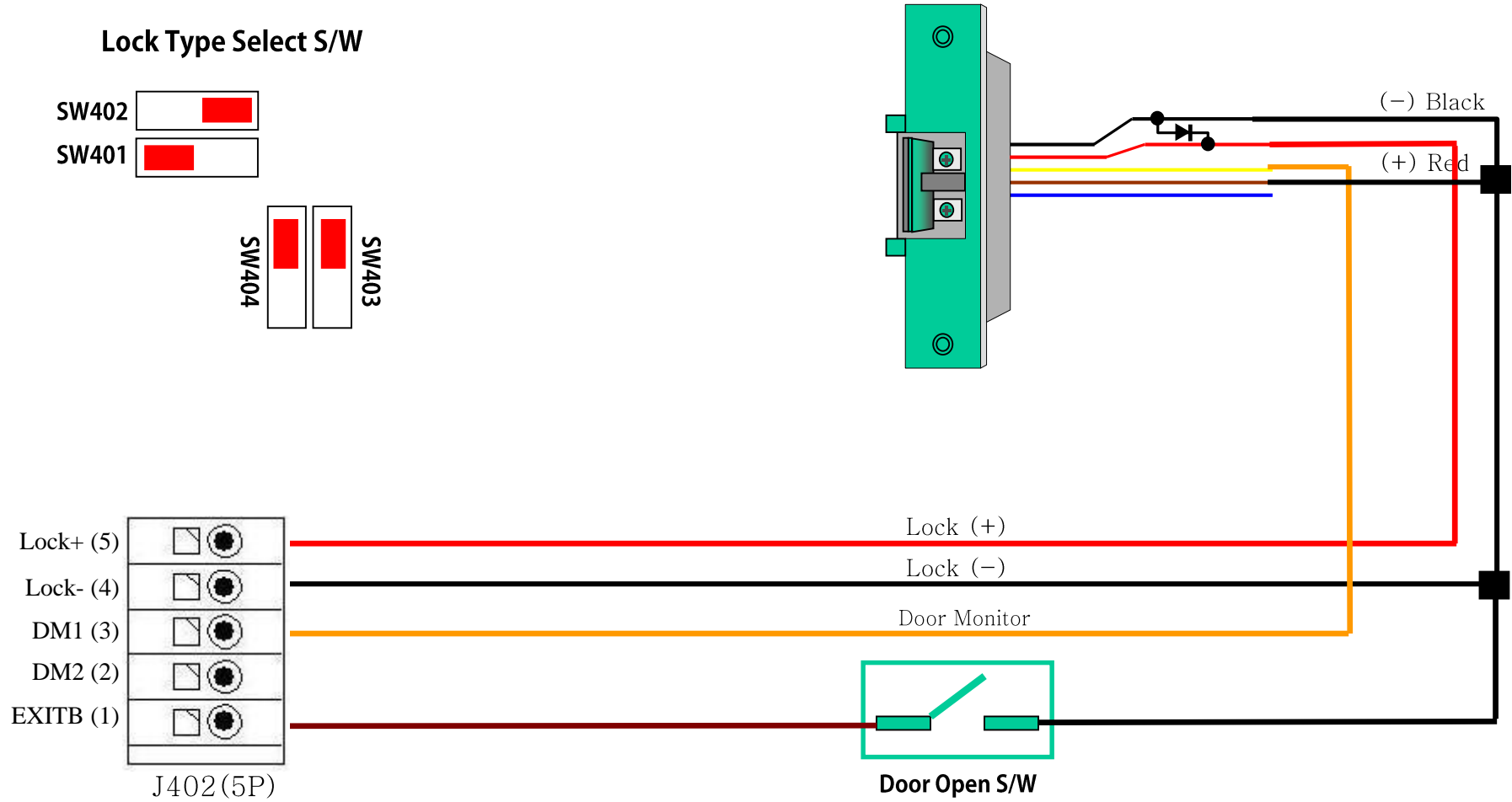
5. Connecting a Strike Type Door Lock (Fail Safe)

5.2. Connecting Two Systems/ One Lock



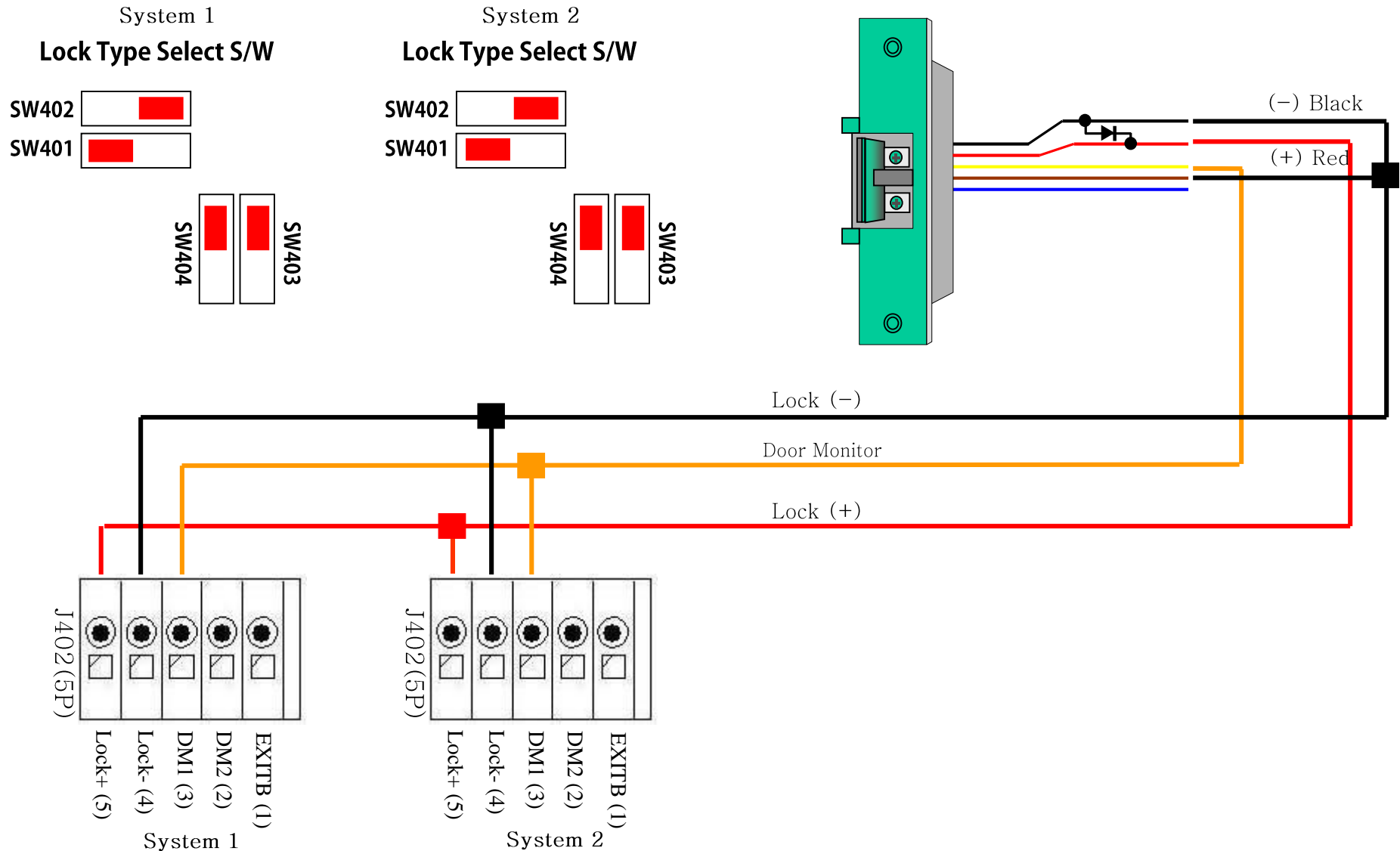
6. Connecting a Strike Type Door Lock (Fail Secure)

6.1. Connecting One System/ One Lock



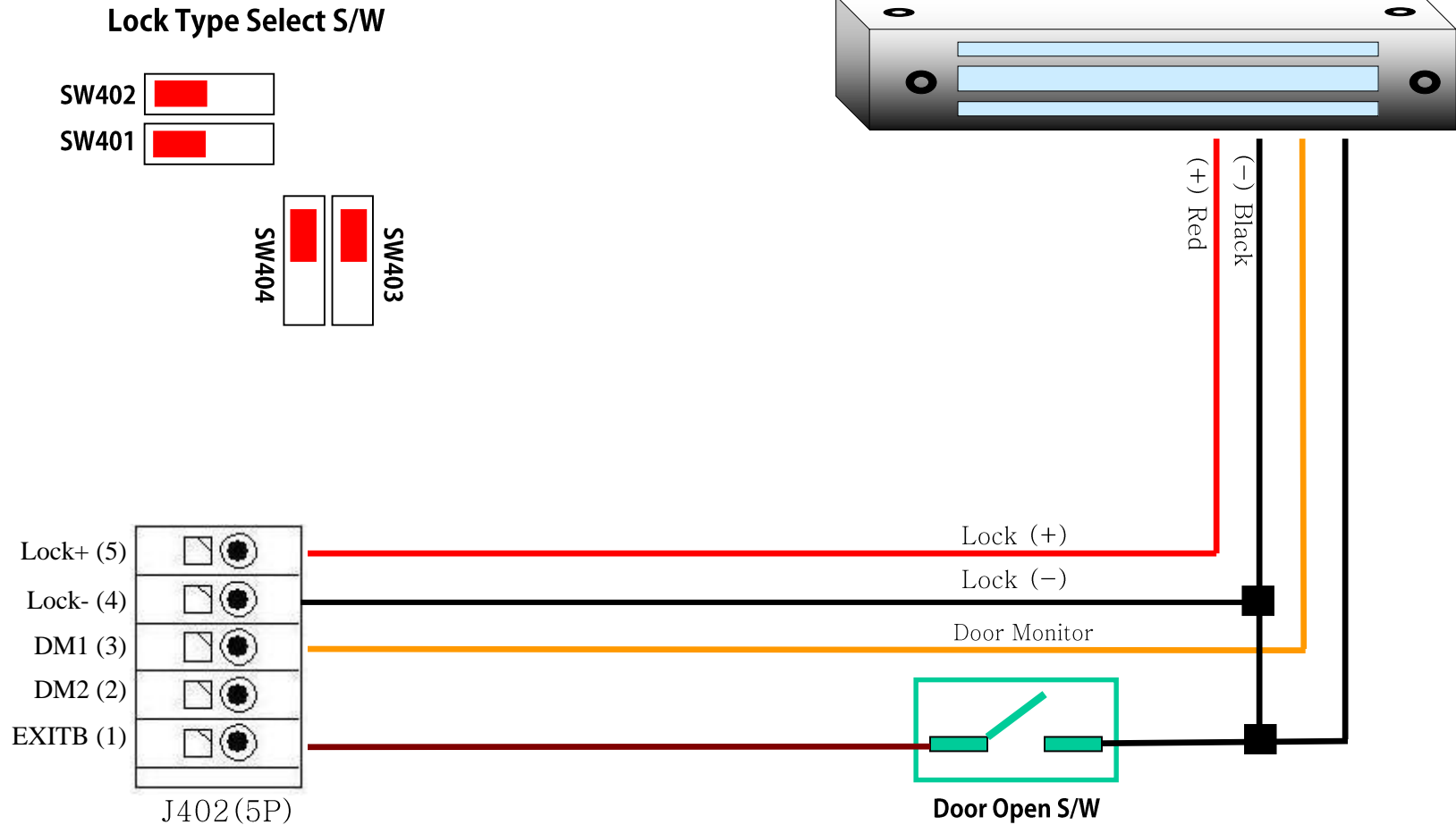
6. Connecting a Strike Type Door Lock (Fail Secure)

6.2. Connecting Two Systems/ One Lock



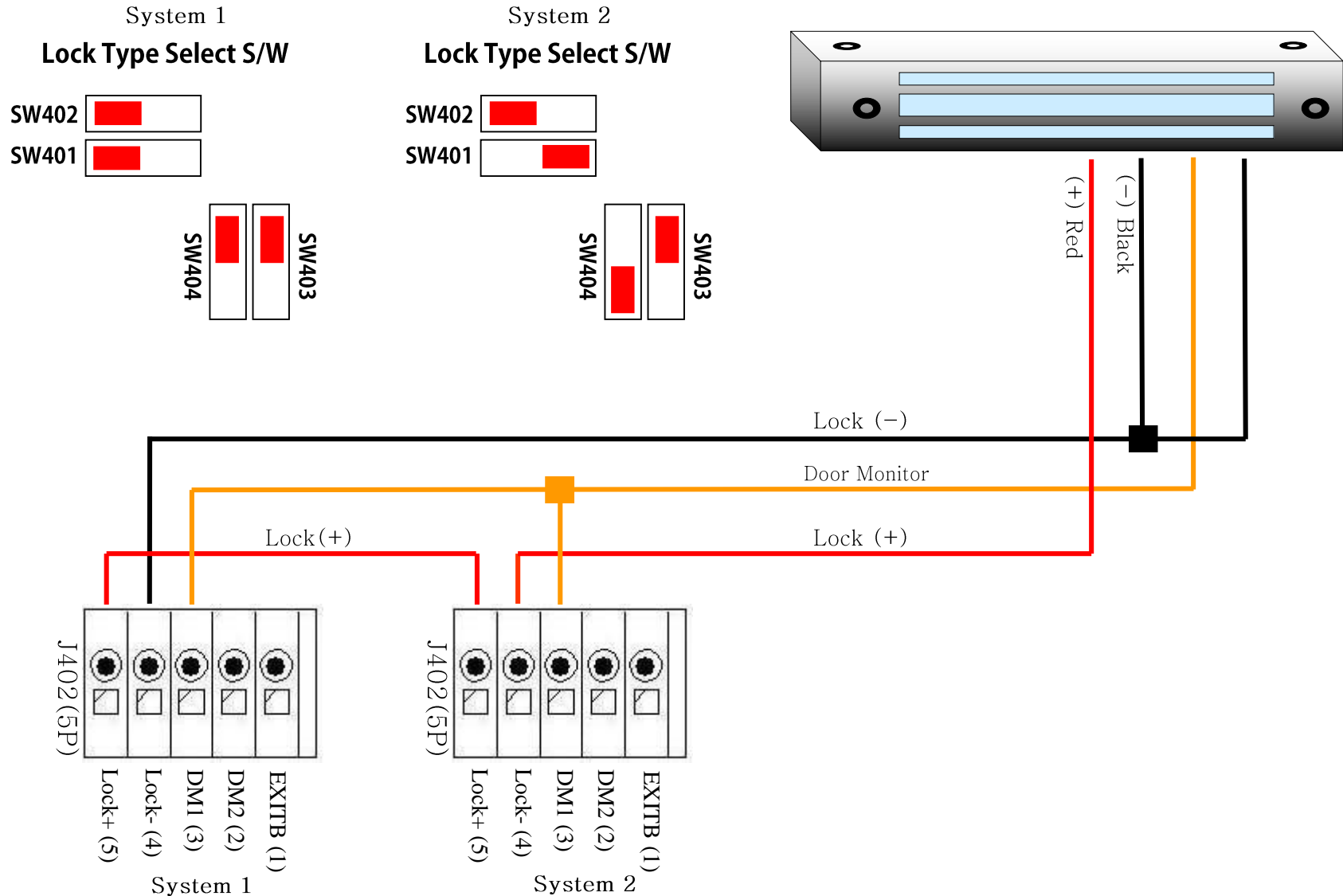
7. Connecting an EM Type Door Lock (Fail Safe)

7.1. Connecting One System/ One Lock



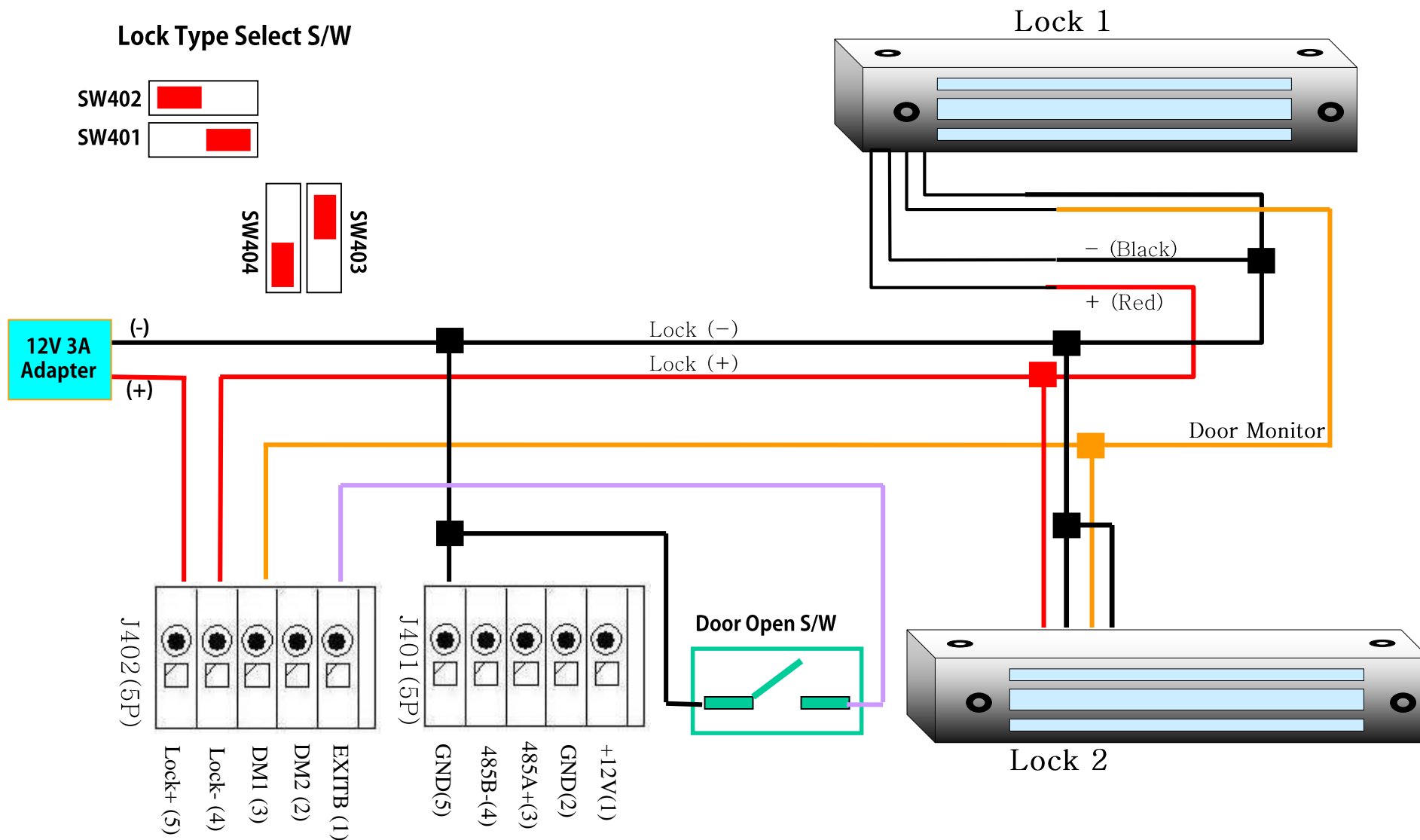
7. Connecting an EM Type Door Lock (Fail Safe)

7.2. Connecting Two Systems/ One Lock



7. Connecting an EM Type Door Lock (Fail Safe)

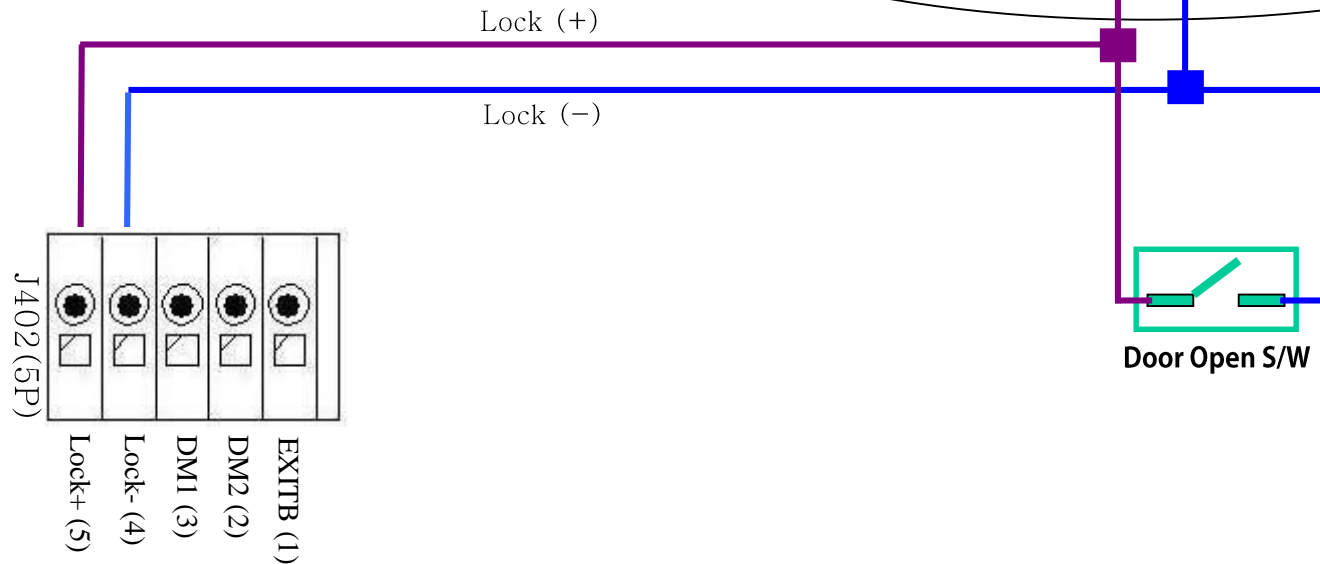
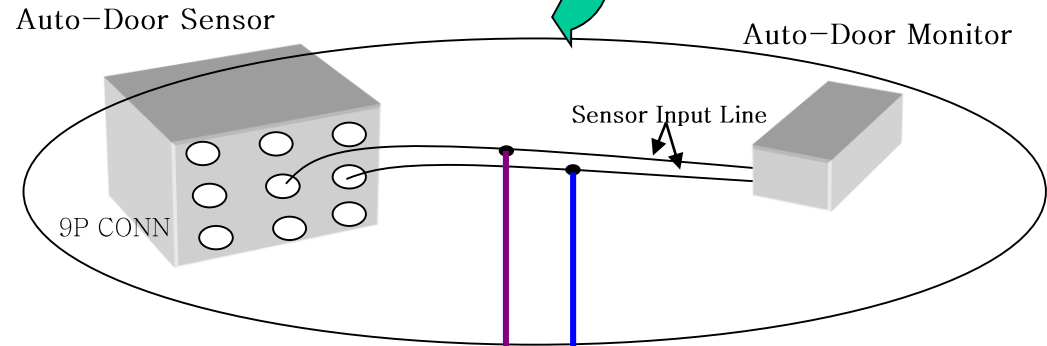
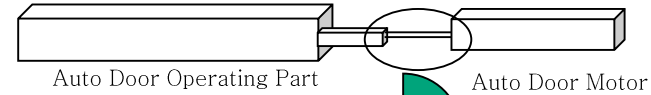
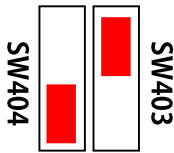
7.3. Connecting One System/ Two Locks “ Use external DC Power adapter”



8. Connecting Auto-Door (Contact Control)

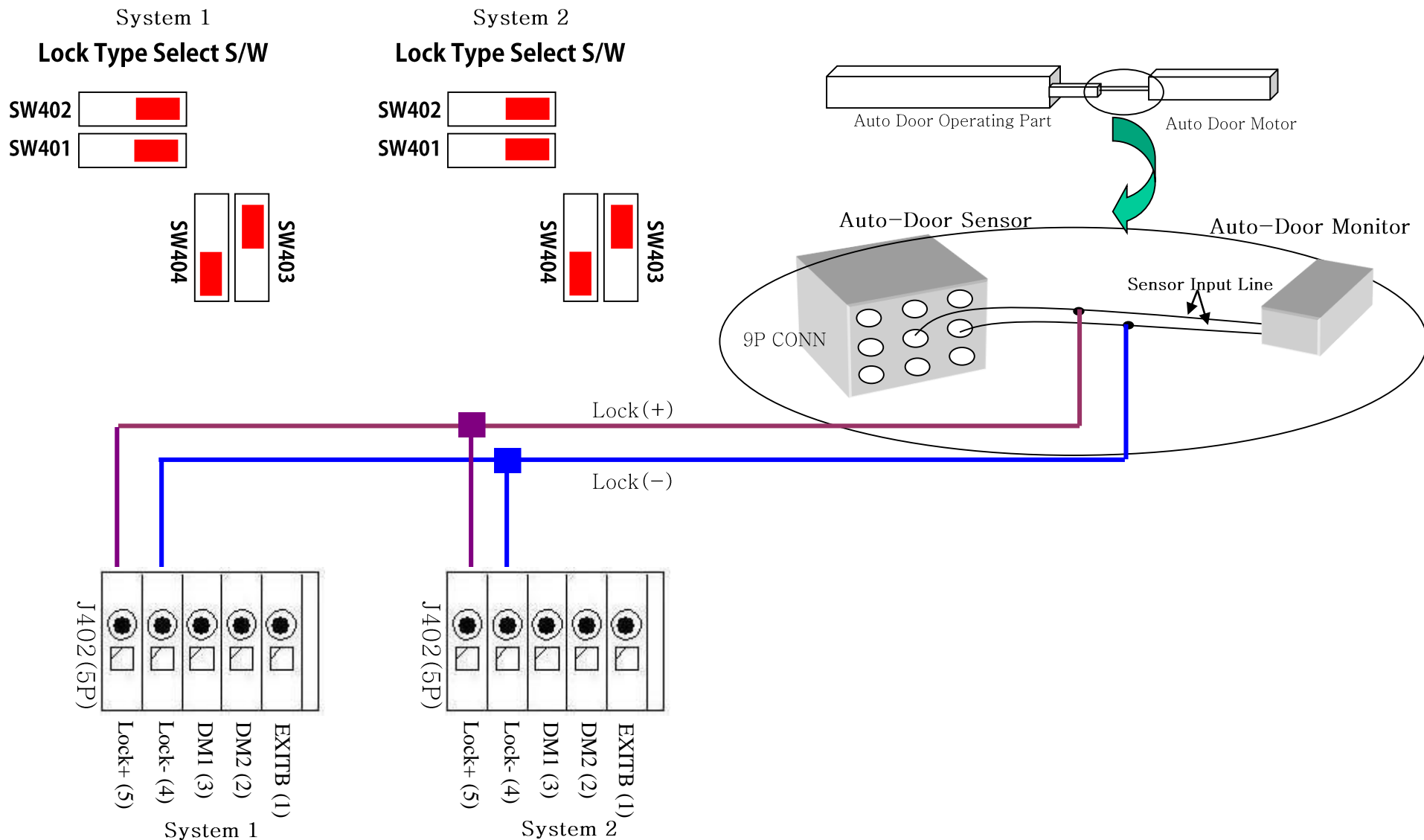
8.1. Connecting One System/ One Door

Lock Type Select S/W



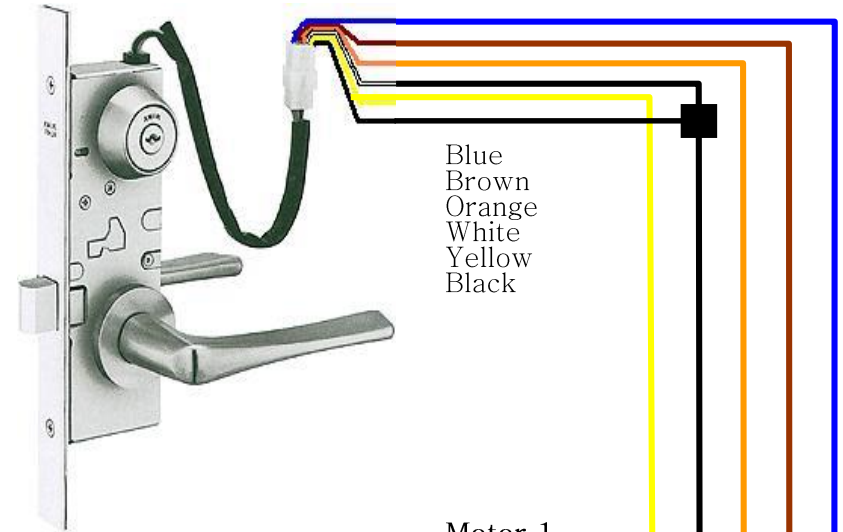
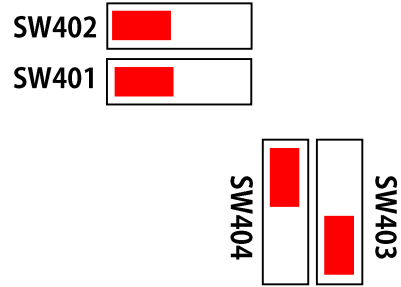
8. Connecting Auto-Door (Contact Control)

8.2. Connecting Two Systems/ One Door

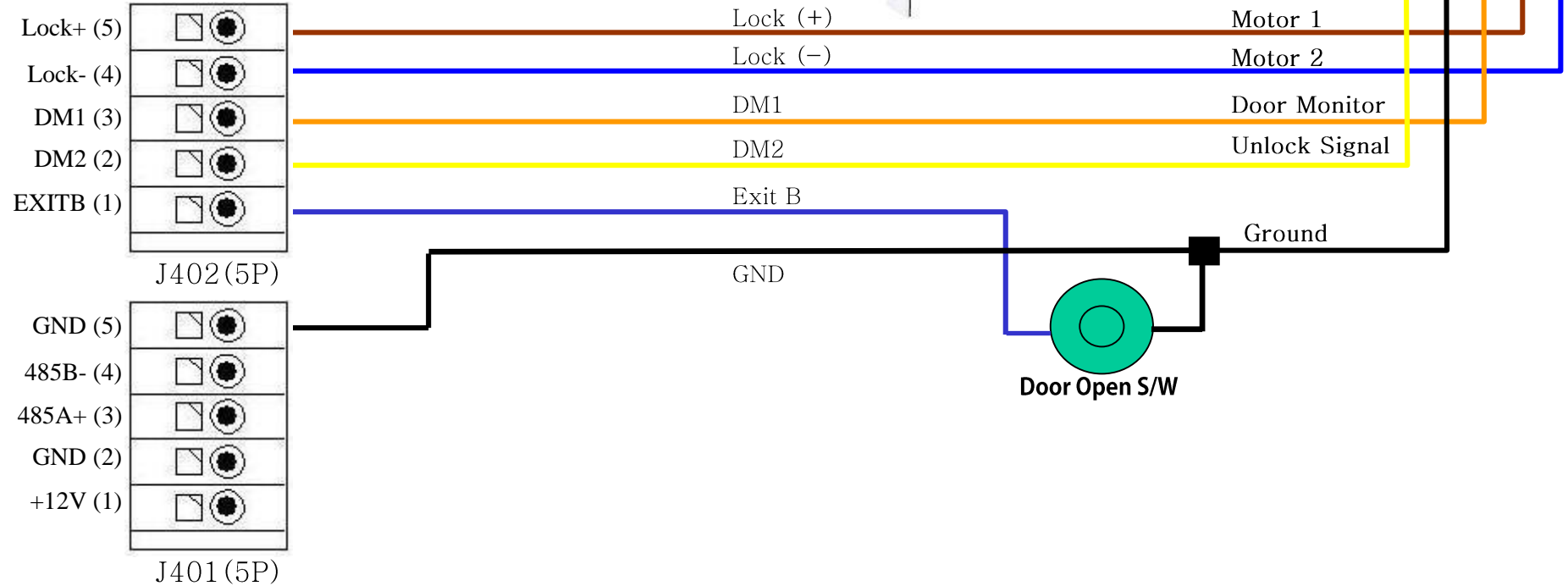


9. Connecting a Motorised Lock

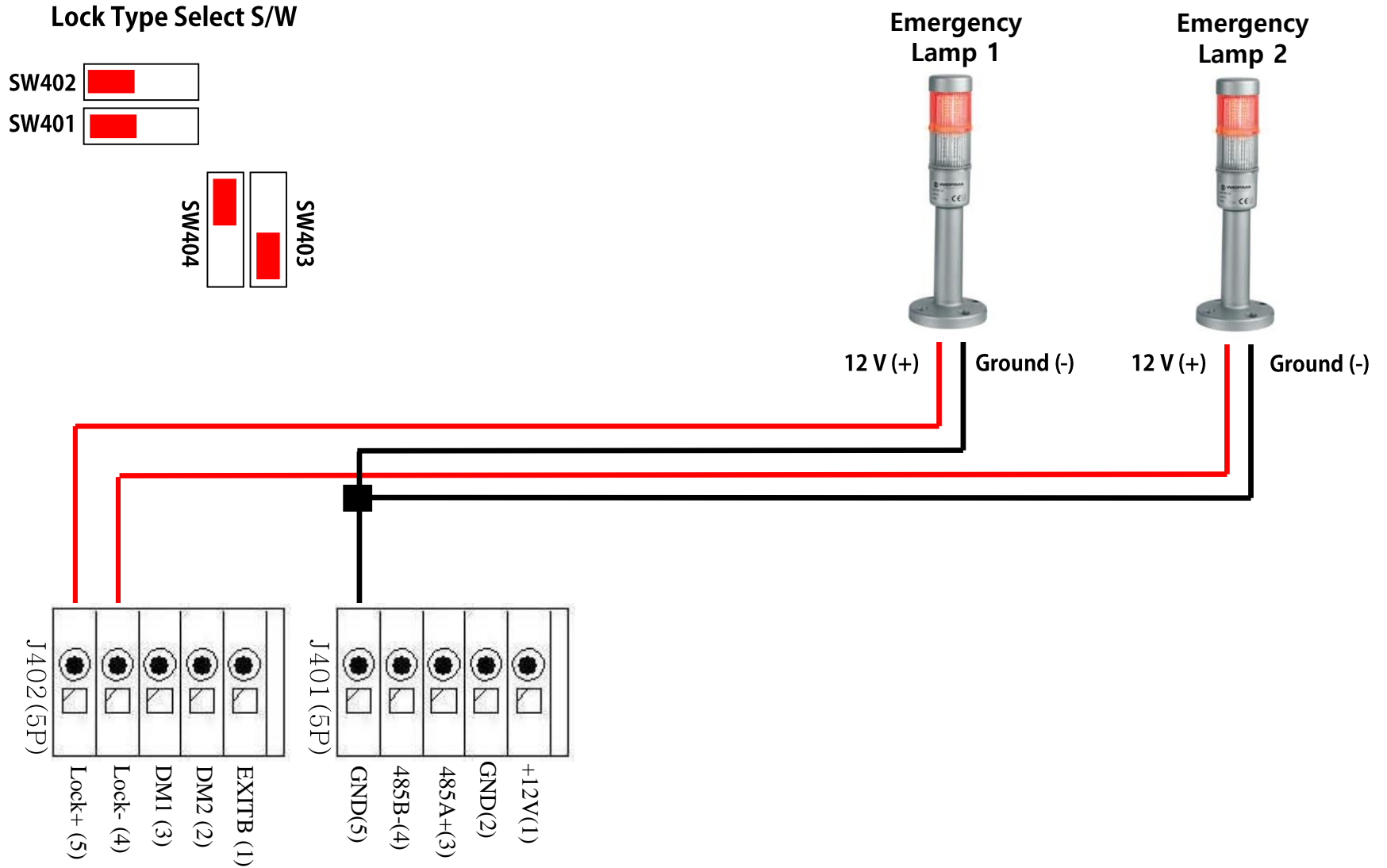
Lock Type Select S/W



Blue
Brown
Orange
White
Yellow
Black



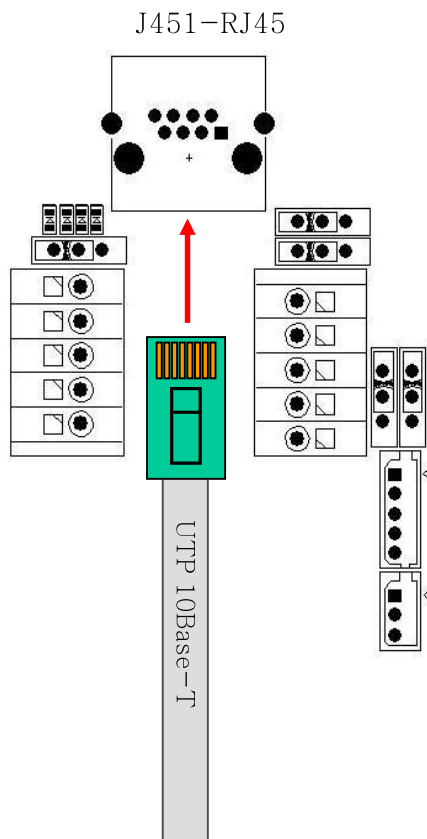
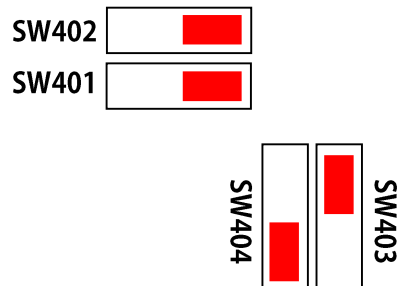
10. Connecting Two Emergency Lamps



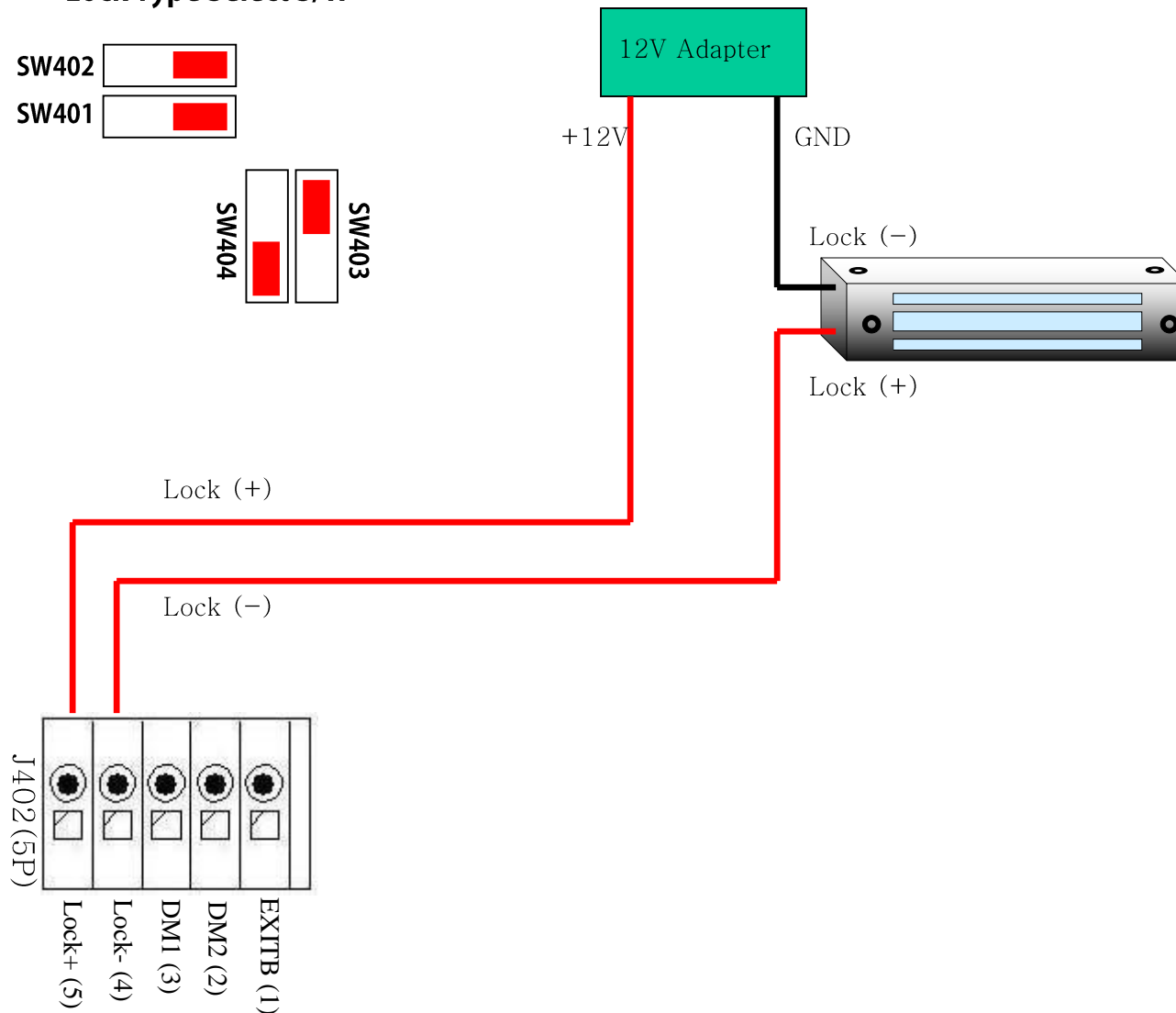
11. Connecting an Electronic Lock with

PoE 11.1. Normally Open Type

Lock Type Select S/W



Switch Hub With PoE



11. Connecting Electronic Lock With PoE

11.2. Normally Closed Type

Lock Type Select S/W

